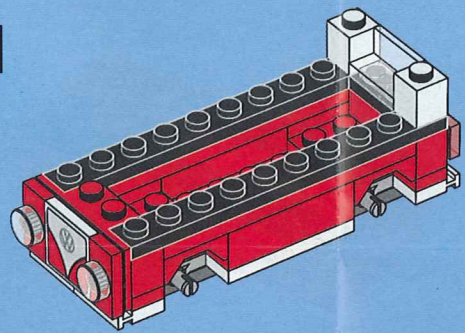
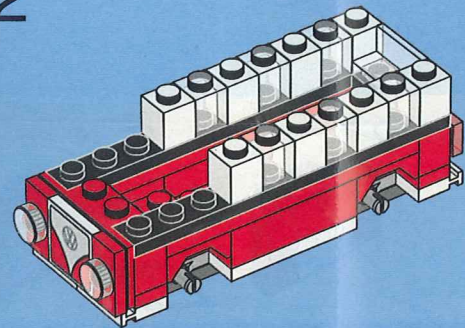


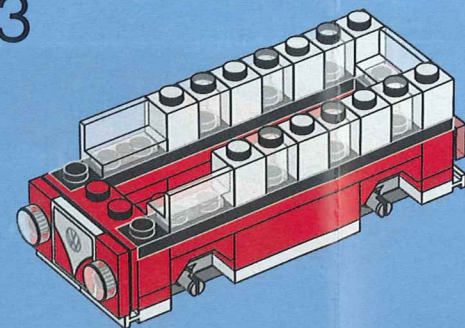
11



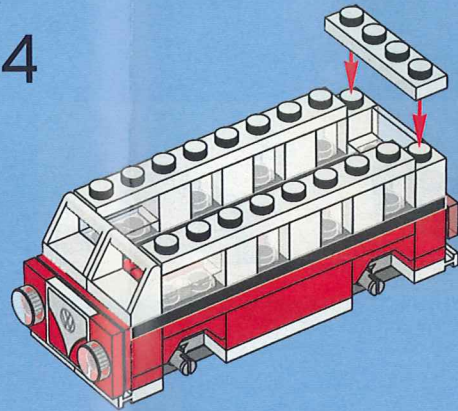
12



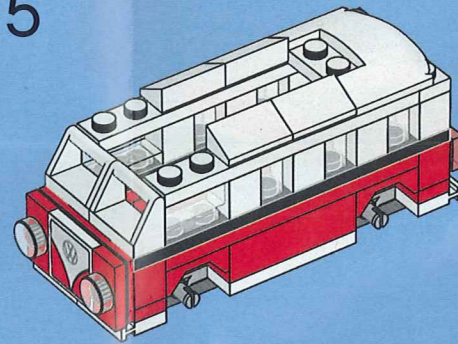
13



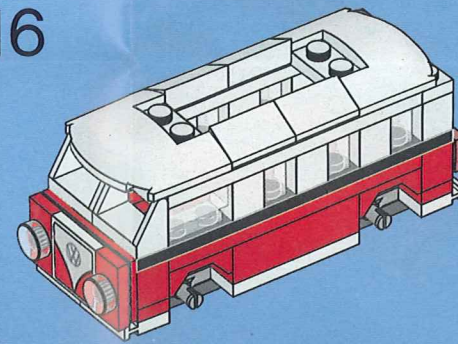
14



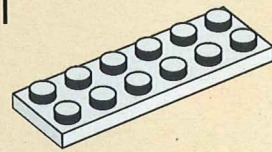
15



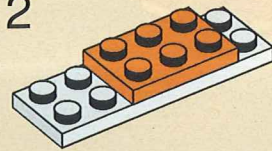
16



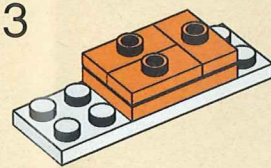
1



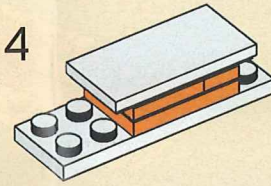
2



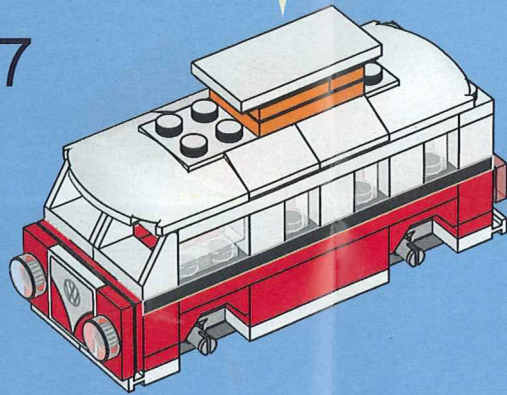
3



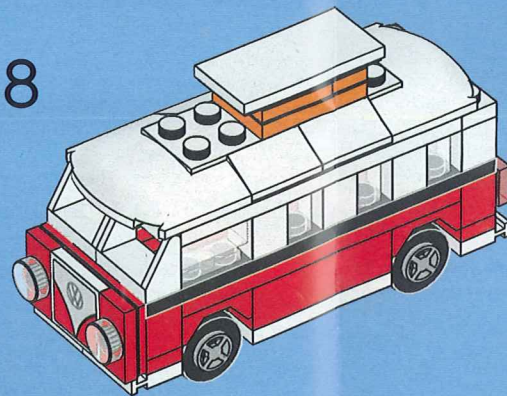
4



17



18

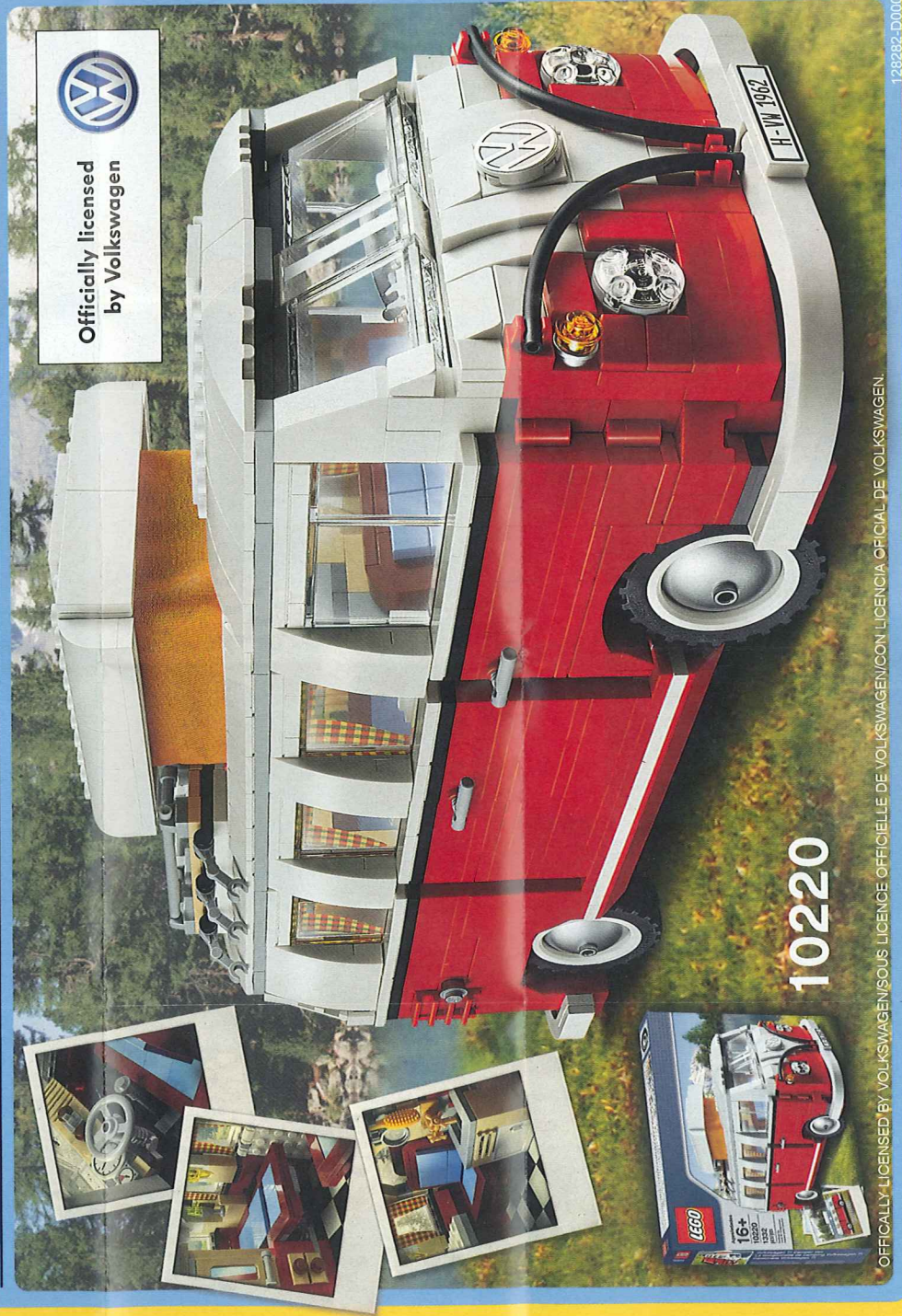


LEGO.com/service

LEGO and the LEGO logo are trademarks of the/son des marques de commerce de/son marcas registradas de LEGO Group. ©2013 The LEGO Group. 6050584



Officially licensed
by Volkswagen



10220

OFFICIALLY LICENSED BY VOLKSWAGEN/SONS LICENCE OFFICIELLE DE VOLKSWAGEN/CON LICENCIA OFICIAL DE VOLKSWAGEN.

128282-00001